

Solar Module Retaining Clip*

Your Technology Specialist

simrit[®]

*Patent pending

Simrit solar module retaining clip

Simrit's new version solar module retaining clip reduces system costs by providing an easy-to-install, theft-proof fixture for frameless photovoltaic thin film modules.

Solar energy is the elemental power source for our planet and the future of human energy needs will increasingly depend on this clean and abundant resource. Simrit has recognized the enormous potential of this resource and has established itself as an innovator of solar energy development technology. In fact, Simrit is dedicated to making advancements in a wide range of energy production technologies from alternative sources such as wind and solar, as well as maximizing the efficiency of traditional fuels.

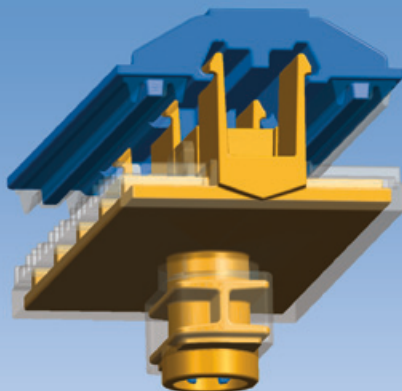
Welcome to the unrivaled power of Simrit

Simrit is the industrial sealing products division of the Freudenberg and NOK Group Companies, the world's largest supplier of elastomeric seals and custom-manufactured products, with over \$12 billion in annual sales worldwide. Simrit provides customers with unmatched experience, product availability, and expertise in the agriculture and construction—and beyond. Industrial customers, OEMs, and distributors alike know that one of Simrit's key advantages is the ability to customize our total sealing solution to virtually any size and application. In fact, it is the breadth of our global resources that enables us to focus personally on a customer's individual needs within specific markets and particular applications.

As both leader and dynamic innovator, Simrit's unique position allows for the continual improvement of our products and services. We are dedicated to discovering new materials and exploring advanced processes to help your technologies not only grow, but thrive in the future.

The Simrit service package at a glance:

- **World's largest product range**—Superior design solutions from a single source.
- **Continuous innovation**—Technological prominence gives our customers competitive advantage.
- **Unique expertise in material, high-quality standards**—The end-to-end leader for safe, cost-effective applications.
- **A vast range of integrated services**—Holistic support from development through product deployment.
- **"Globality"**—Global expertise united with the knowledge of local markets and customer demands.



The Simrit solar module retaining clip is a state-of-the-art solar panel installation device designed to save time and costs. This innovative clip is a solution that ensures a homogenous clamping force while providing a faster and easier assembly. It is uniquely superior to current market solutions which require intricate assembly and are sensitive to installation and environmental conditions.

Simrit solar module retaining clip

Features of Simrit solar module retaining clips

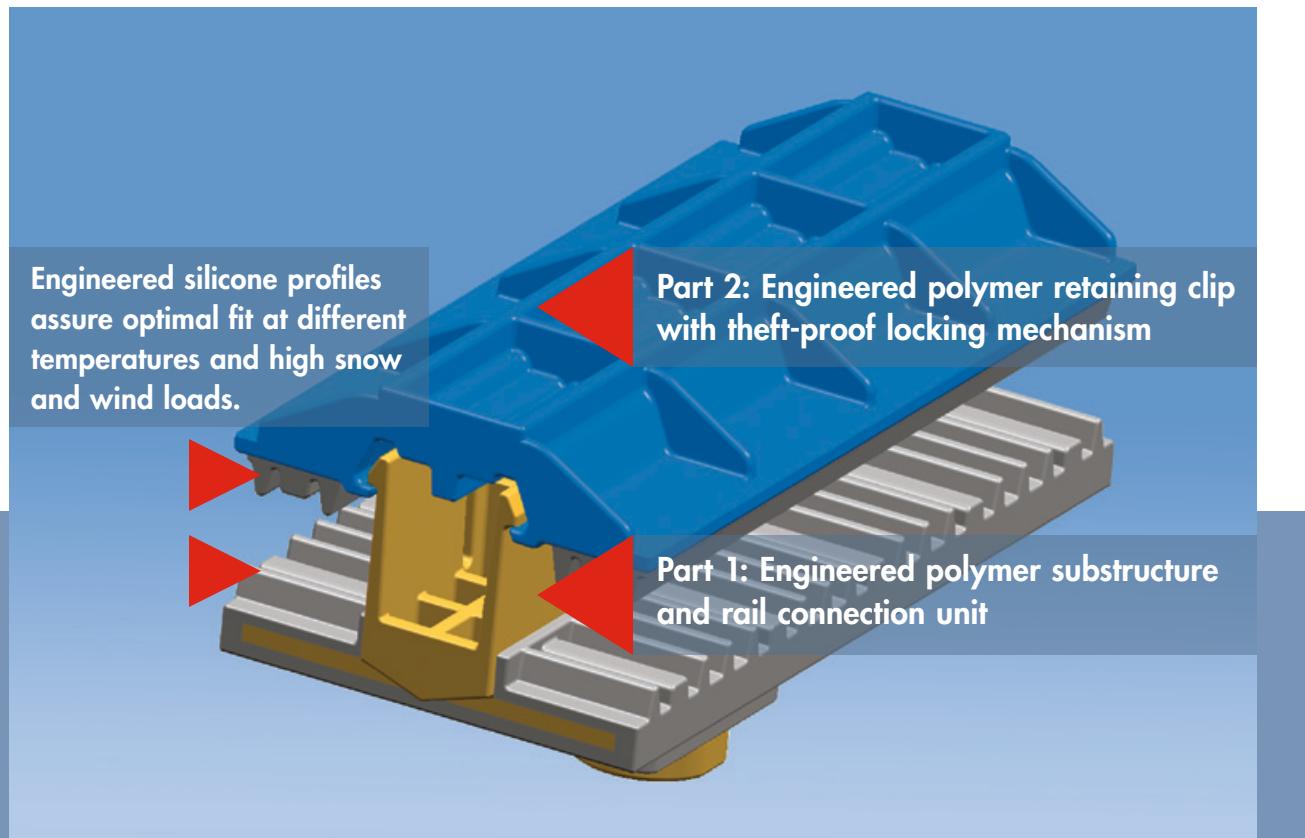
The simple, elegant, and easy to use Simrit solar module retaining clip makes it the superior installation device on the market. Features include:

- **No mounting hardware required and only two essential parts are advantages over standard market solutions**
- **Fast, simplified two-step assembly without tools**
- **Engineered profile optimizes surface pressure distribution and resists panel cracking due to “overloading”**
- **Silicone components and engineered plastic parts are mechanically bonded giving it a “single body” characteristic**
- **Theft-proof design—a central rail pin provides a direct in-line connection to the underlying rail system**

Benefits of Simrit solar module retaining clips

The many special and unique features of Simrit solar module retaining clips offer the end user greater savings in labor costs and security.

- **Ergonomic solution—the modified fitting is user optimized**
- **PV module damage due to excessive clamp force on frames is eliminated through engineered silicone profiles**
- **Significant reduction in labor costs due to shorter assembly time**
- **Components are non-conductive, eliminating the potential need for grounding**
- **Compatible with industry standards and certifications**
- **Very low profile for maximization of PV sun exposure**
- **Wide variety of color choices are possible**



Simrit Americas

Elgin, Illinois, USA

Tel: +1 (847) 428 1261

Fax: +1 (847) 783 6519

Simrit Europe

Weinheim, Germany

Tel: +49 (0) 18 05 – 746748

Fax: +49 (0) 18 03 – 746748

Simrit China

Shanghai, China

Tel: +86 (21) 50 36 69 00

Fax: +86 (21) 50 36 63 07

www.simrit.com

simrit[®]